



Computer Systems and Networks

ECPE 170 – Jeff Shafer – University of the Pacific

MIPS Assembly

Lab Schedule

Activities

➤ This Week

- MIPS discussion
- Practice problems (whiteboard)
- Using the QtSPIM simulator

➤ Friday

- **No class – Pacific Day!**

Assignments Due

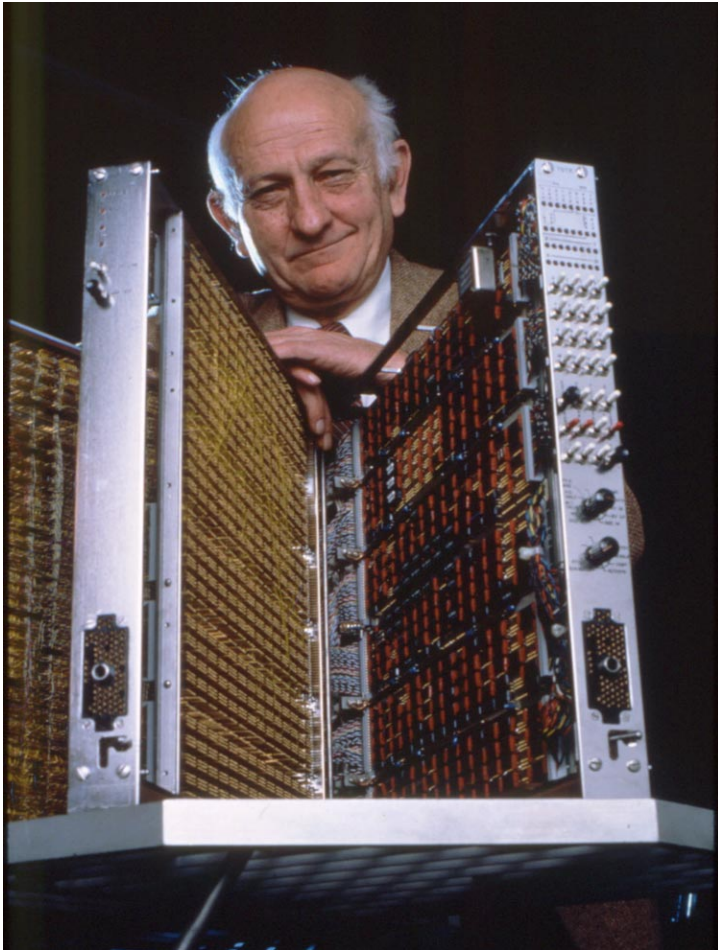
➤ Wednesday Apr 3rd

- **Lab 10 due by 11:59pm**

➤ Sunday Apr 14th

- **Lab 11 due by 11:59pm**

Person of the Day – John Cocke



- Computer architecture pioneer
 - “Father of RISC Architecture”
 - Developed IBM 801 processor, 1975-1980
- Winner, *ACM Turing Award*, 1987

RISC = Reduced Instruction Set Computing

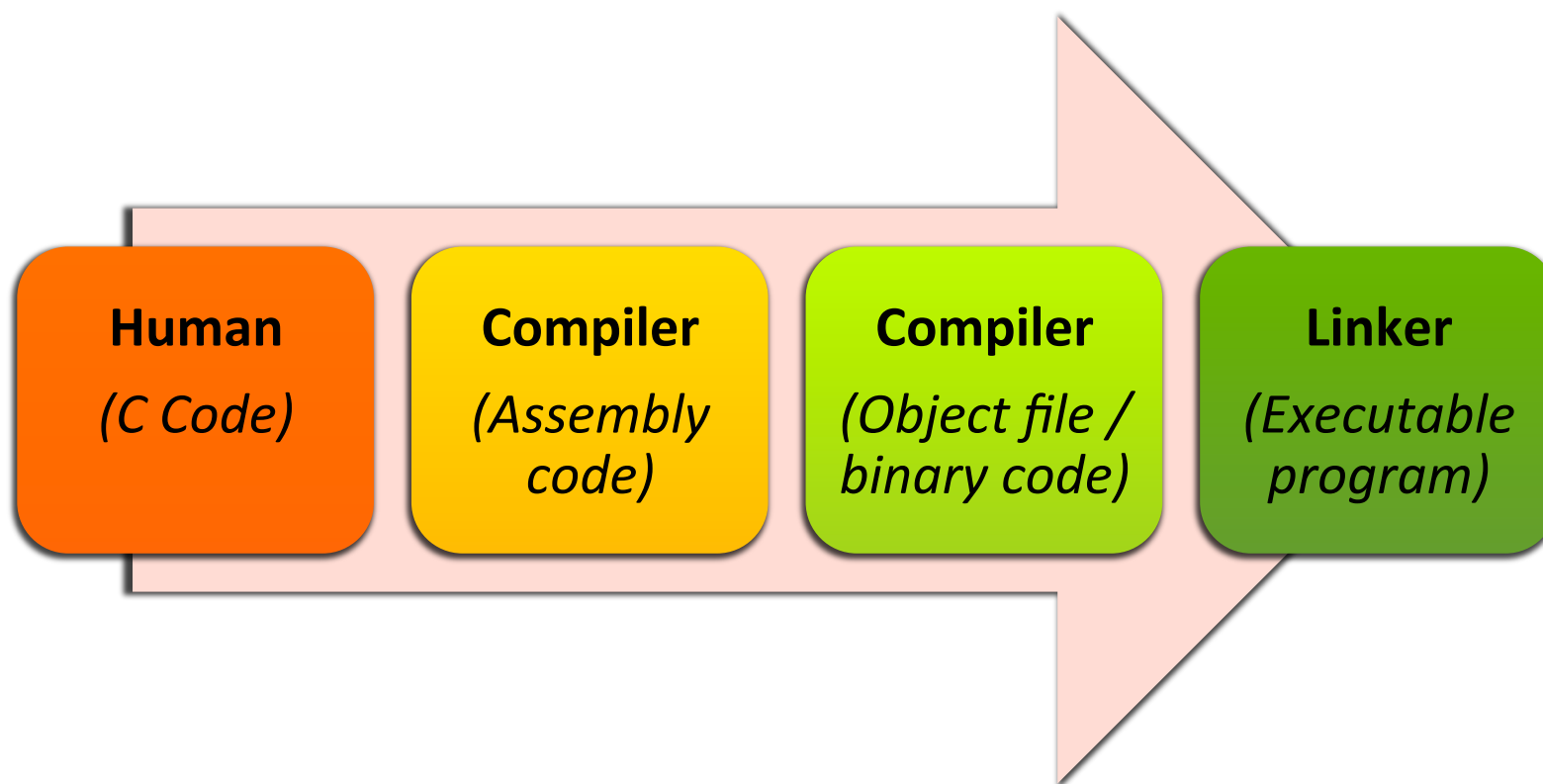
Achieve higher performance with simple instructions that execute faster

Person of the Day – John Hennessy

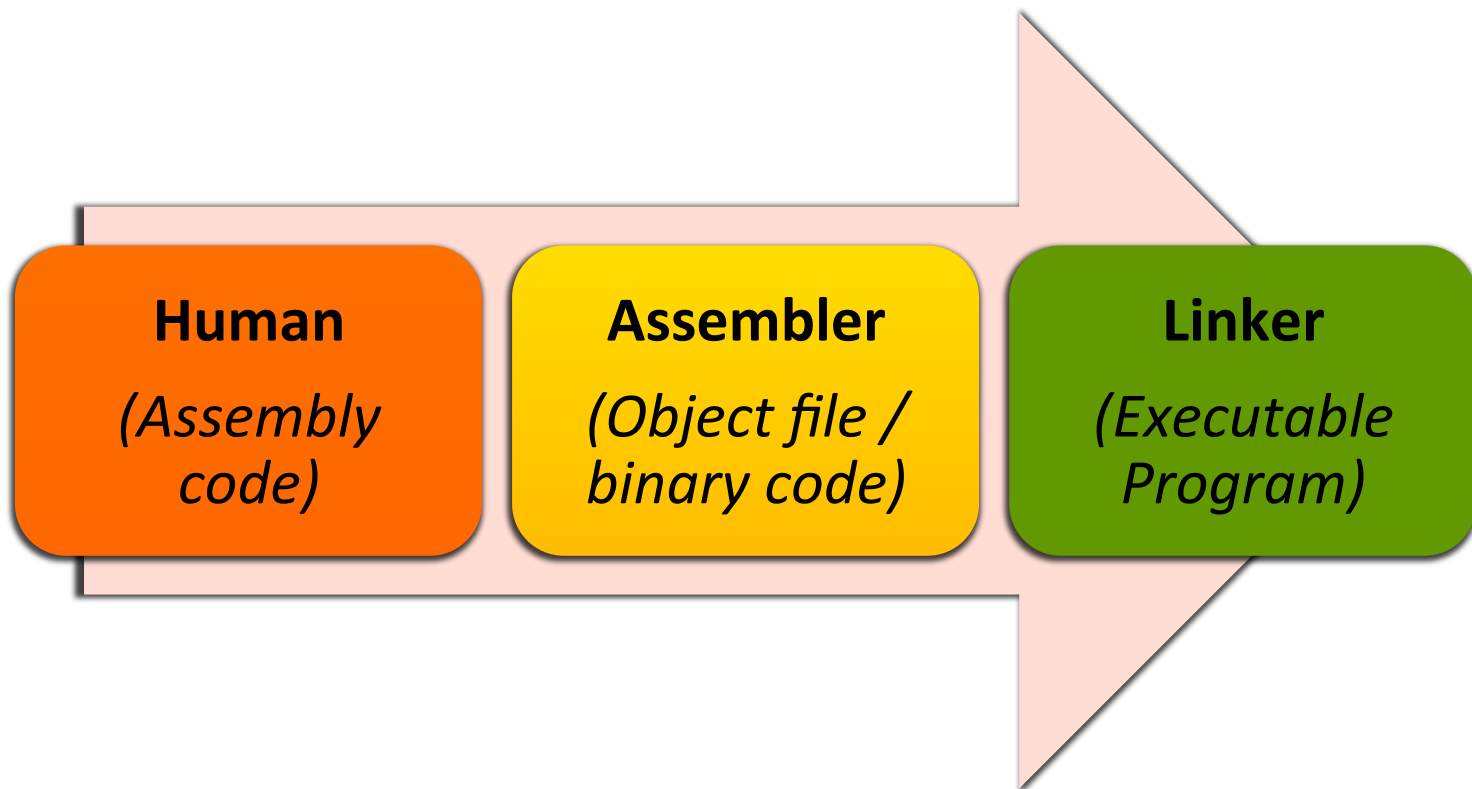


- Computer architecture pioneer
- Popularized RISC architecture in early 1980's
- Founder of MIPS Computer Systems in 1984
- Currently president of an obscure school: *Stanford University*

Class to Date



Class Now



MIPS



MIPS Overview

- Family of computer processors first introduced in 1981
- **M**icroprocessor without **I**nterlocked **P**ipeline **S**tages
 - Original acronym
 - Now MIPS stands for nothing at all...

MIPS Products

- **Embedded devices**
 - Cisco/Linksys routers
 - Cable boxes
 - MIPS processor is buried inside *System-on-a-Chip (SOC)*

- **Gaming / entertainment**
 - Nintendo 64
 - Playstation 2, PSP

- **Computers?**
 - Not so much anymore...
 - SGI / DEC / NEC workstations back in 1990's

MIPS Design

- RISC – **What does this mean?**
 - Reduced Instruction Set Computing
 - Simplified design for instructions
 - Use more instructions to accomplish same task
 - But each instruction runs much faster!

- 32 bits (originally) – **What does this mean?**
 - 1 “word”= 32 bits
 - Size of data processed by an integer add instruction
 - New(er) MIPS64 design is 64 bits, but we won’t focus on that

MIPS Assembly Programming



Quotes – Donald Knuth



“People who are more than casually interested in computers should have at least **some idea of what the underlying hardware is like.** Otherwise the programs they write will be pretty weird.”
– Donald Knuth

Remember this when we’re learning MIPS assembly in Labs 10 and 11!

Why Learn Assembly Programming?

- **Computer Science** track
 - Understand capabilities (and limitations) of physical machine
 - Ability to optimize program performance (or functionality) at the assembly level *if necessary*

- **Computer Engineer** track
 - Future courses (e.g. ECPE 173) will focus on processor design
 - Start at the assembly programming level and move into hardware
 - *How* does the processor implement the `add` instruction?
 - *How* does the processor know what data to process?

Instruction Set Architecture

- **Instruction Set Architecture (ISA)** is the interface between hardware and software
 - Specifies the format of processor instructions
 - Specifies the format of memory addresses (and addressing modes)
 - Specifies the primitive operations the processor can perform

Instruction Set Architecture

- ISA is the “contract” between the *hardware designer* and the assembly-level *programmer*
- Documented in a manual that can be hundreds or thousands of pages long
 - Example: Intel 64 and IA-32 Architectures Software Developers Manual
 - <http://www.intel.com/content/www/us/en/processors/architectures-software-developer-manuals.html>
 - No joke – the manual PDF from August 2012 is **3020 pages long!**

Instruction Set Architecture

➤ Processor families share the same ISA

➤ Example ISAs:

- Intel x86
- Intel / AMD x86-64
- Intel Itanium
- ARM
- IBM PowerPC
- MIPS

All completely different,
in the way that C++, Java,
Perl, and PHP are all
different...

... and yet learning one
language makes learning
the next one much easier

Why MIPS?

- Why choose MIPS?
 - The MIPS ISA manual (volume 1, at least) is a svelte **108 pages!**
 - Extremely common ISA in textbooks
 - Freely available simulator
 - Common embedded processor
 - Good building-block for other RISC-style processors
 - Aligns with ECPE 173 course

Arithmetic Instructions

➤ Addition

```
add <result>, <input1>, <input2>
```

➤ Subtraction

```
sub <result>, <input1>, <input2>
```

Operation / "Op code"

Operands

Task : Write Code

➤ **Write MIPS assembly for**

$$f = (g+h) - (i+j)$$

```
add temp0, g, h
add temp1, i, j
sub f, temp0, temp1
```

Congratulations!

You're now an assembly
programming expert!

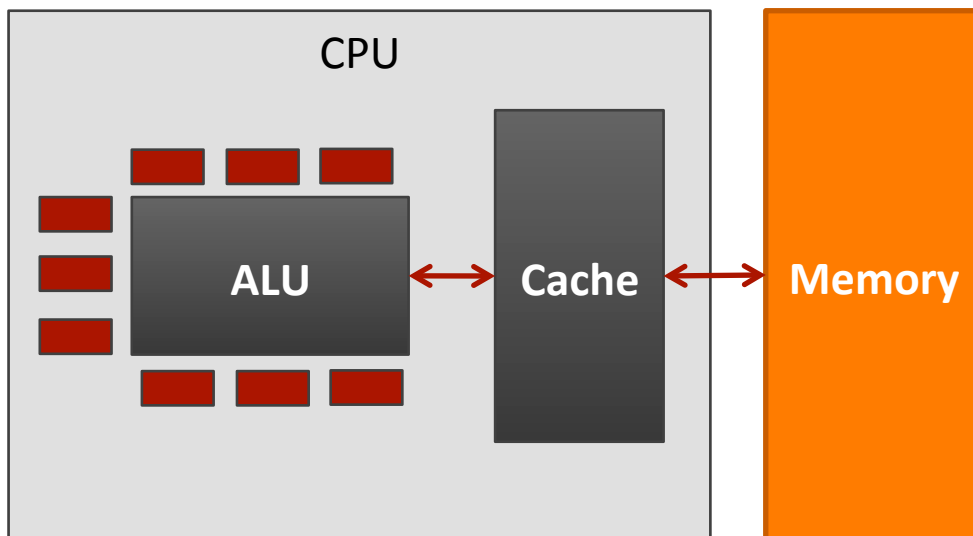
Data Sources

- Previous example was *(just a little bit)* fake...
 - We made up some variables:
temp0, temp1, f, g, h, i, and j
 - This is what you do when programming in C++
(or any high level language)

**Problem: You can't make up
variables in assembly!**
(as least, not in this fashion)

Data Sources

Where can we explicitly place data in assembly programming?



1. Registers

- On the CPU itself
- Very close to ALU
- Tiny
- Access time: 1 cycle

2. Memory

- Off-chip
- Large
- Access time: 100+ cycles

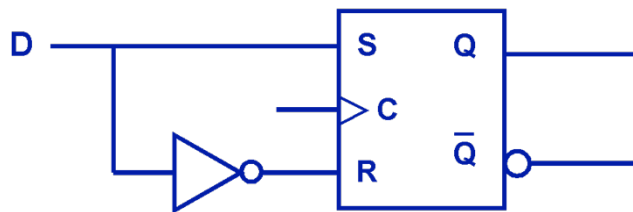
Aside – Cache

- **Review: Does the programmer explicitly manage the cache?**
- **Ans: No!**
 - The assembly programmer just reads/writes memory addresses
 - Cache is managed automatically in hardware
 - Result: Memory *appears* to be faster than it really is

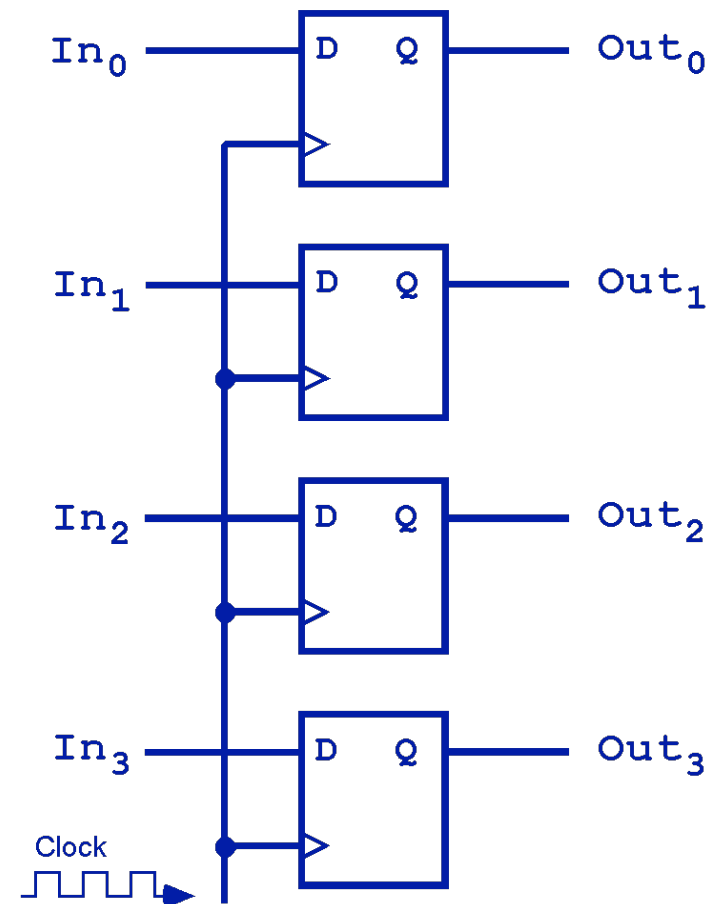
ECPE 71

➔ From your knowledge of ECPE 71 (Digital Design), how would you construct a register?

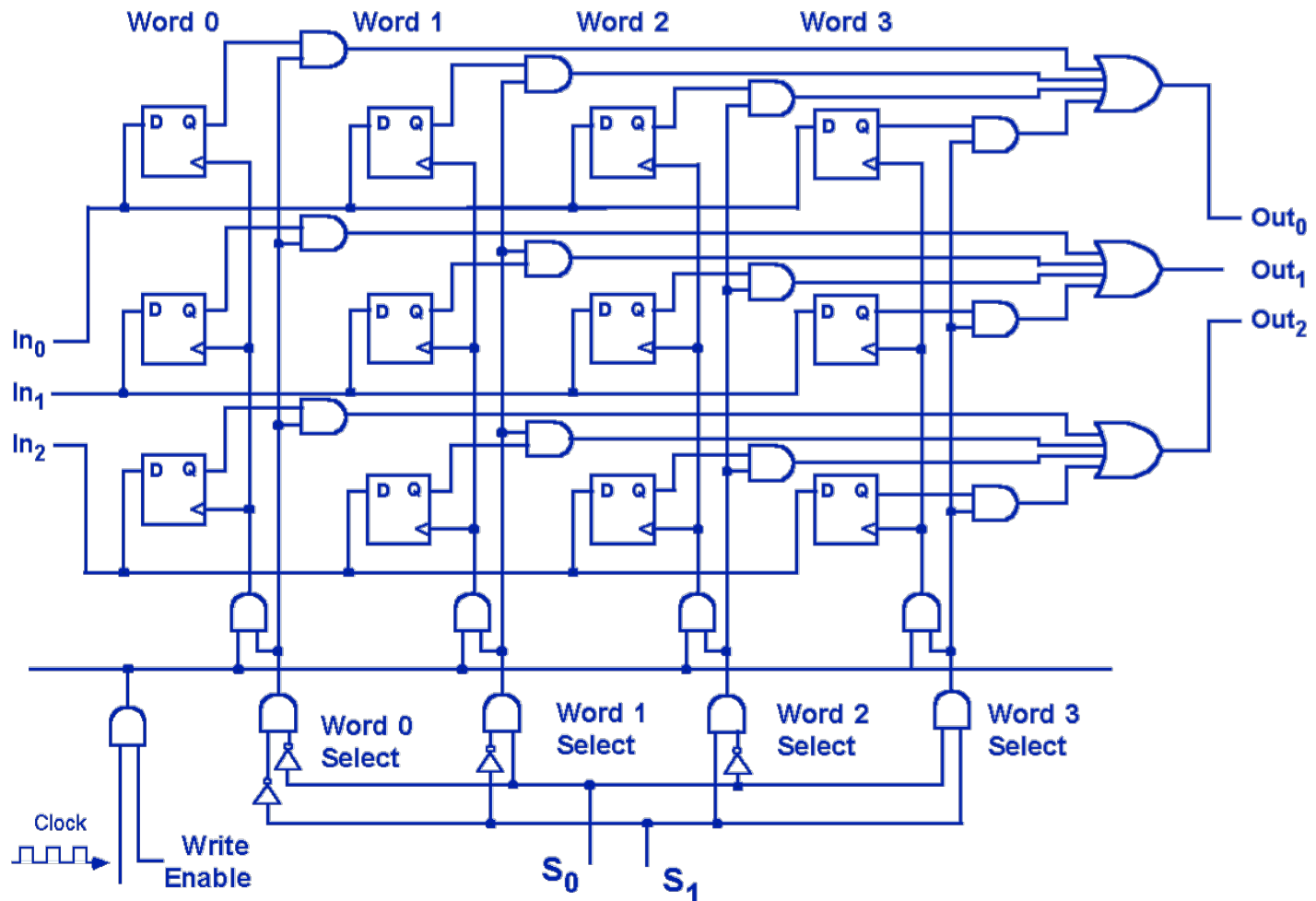
Flip Flops! (*D Flip Flop shown*)



D	Q(t+1)
0	0
1	1



ECPE 71 – Group of Registers



Registers

- MIPS design: **32 integer registers**, each holding **32 bits**
 - “Word size” = 32 bits

Name	Use
\$zero	Constant value: ZERO
\$s0-\$s7	Local variables
\$t0-\$t9	Temporary results

- **This is only 19 – where are the rest of the 32?**
 - Reserved *by convention* for other uses
 - We’ll learn a few more later...

Task : Write Code

➔ Write MIPS assembly using registers for:

$$f = (g+h) - (i+j)$$

Map:

\$s0 = g
\$s1 = h
\$s2 = i
\$s3 = j
\$s4 = f

Code:

```
add $t0, $s0, $s1  
add $t1, $s2, $s3  
sub $s4, $t0, $t1
```

More Arithmetic Instructions

➤ Add Immediate

```
addi <result>, <input1>, <constant>
```

Register

Register

Can be a positive or
negative number!

Task : Write Code

➤ **Write MIPS assembly using registers for:**

$$f = g + 20$$

Map:

$\$s0 = f$

$\$s1 = g$

Code:

```
addi $s0, $s1, 20
```

Memory

- Challenge: **Limited supply of registers**
 - Physical limitation: We can't put more on the processor chip, and maintain their current speed
 - *Many elements compete for space in the CPU...*
- Solution: **Store data in memory**
- MIPS provides instructions that transfer data between memory and registers

Memory Fundamentals

MIPS cannot directly manipulate data in memory!

Data must be moved to a register first! (And results must be saved to a register when finished)

Common design in *RISC-style* machines...

Memory Fundamentals

Yes, it's a **pain** to keep moving data between registers and memory.

But consider it your *motivation* to reduce the number of memory accesses. That will **improve program performance!**

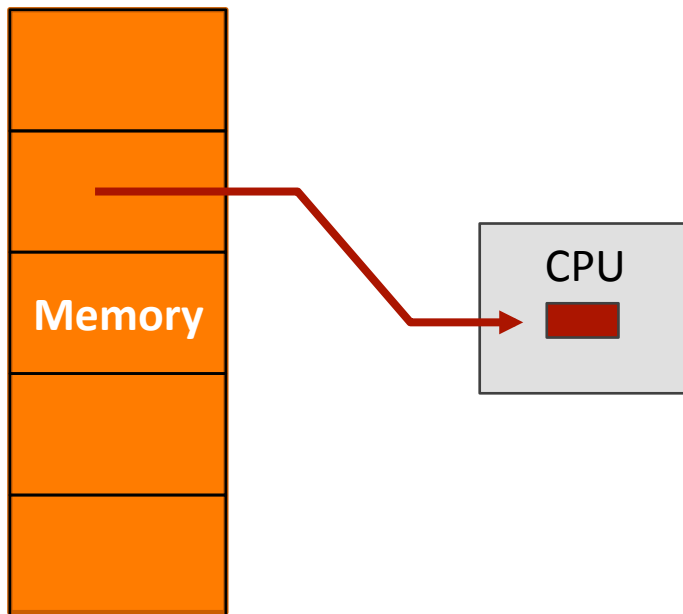
Memory Fundamentals

- Four questions to ask when accessing memory:
1. What **direction** do I want to copy data?
(i.e. to memory, or from memory?)
 2. What is the specific **memory address**?
 3. What is the specific **register name**? (or number)
 4. How **much data** do I want to move?

Memory – Fundamental Operations

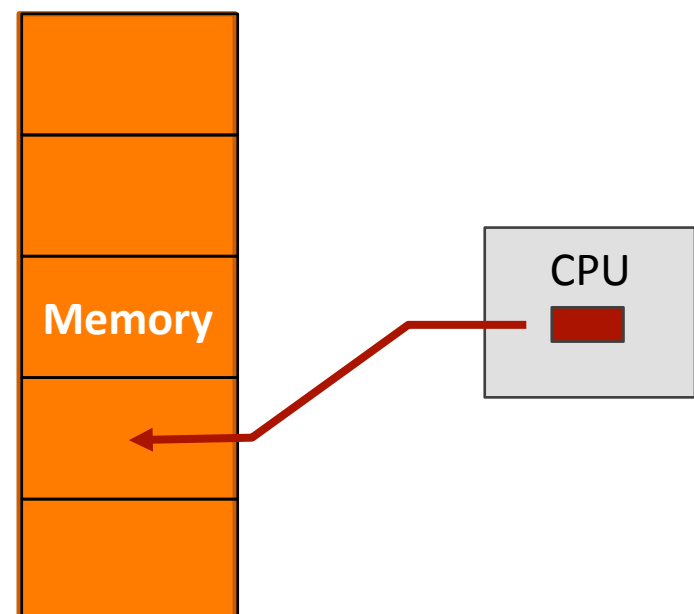
Load

- Copy data from memory to register



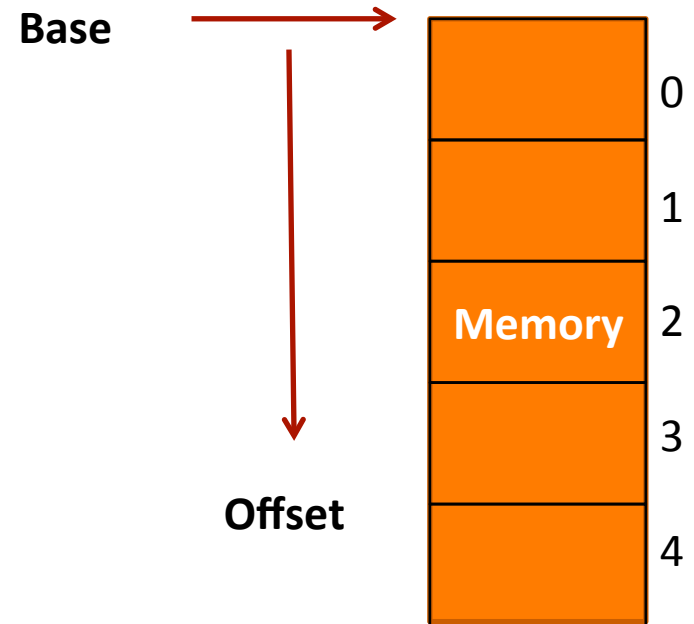
Store

- Copy data from register to memory



Memory – Determining Address

- There are many ways to calculate the desired memory address
 - These are called *addressing modes*
 - We'll just learn one mode now:
base + offset
- The base address could be HUGE! (32 bits)
 - We'll place it in a **register**
- The offset is typically small
 - We'll directly include it in the instruction as an "immediate"



MIPS notation: `offset(base)`

Memory – Register Name

- What is the name of the register to use as either the data destination (for a *load*) or a data source (for a *store*)?
- Use the same register names previously learned

Memory - Data Transfer Size

- How much data do I want to load or store?
 - A full word? **(32 bits)**
 - A “half word”? **(16 bits)**
 - A byte? **(8 bits)**
- **We’ll have a different instruction for each quantity of data**
- No option to load an entire array!
 - Will need a loop that loads 1 element at a time...

Memory – Data Transfer Instructions

➤ Load (copy from memory to register)

Word: `lw <reg>, <offset>(<base addr reg>)`

Byte: `lb <reg>, <offset>(<base addr reg>)`

➤ Store (copy from register to memory)

Word: `sw <reg>, <offset>(<base addr reg>)`

Byte: `sb <reg>, <offset>(<base addr reg>)`

Register

Memory Location

Example

➤ What will this instruction do?

```
lw $s1, 20($s2)
```

- Load word copies from memory to register:
 - Base address: stored in register \$s2
 - Offset: 20 bytes
 - Destination register: \$s1
 - Amount of data transferred: 1 word (32 bits)

Task : Write Code

➔ **Write MIPS assembly for:**

$g = h + \text{array}[16]$

(Array of words. Can leave g and h in registers)

Map:

$\$s1 = g$
 $\$s2 = h$
 $\$s3 = \text{base}$
address of
array

Code:

```
# Assume $s3 is already set
lw $t0, 16($s3)
add $s1, $s2, $t0
```


Memory Address

- Slight flaw in previous solution
 - The programmer intended to load the 16th array element
 - Each element is 4 bytes (1 word)
 - The offset is in bytes
 - $16 * 4 = 64$

Correct Code:

```
# Assume $s3 is already set
lw $t0, 64($s3)
add $s1, $s2, $t0
```

Task : Write Code

➔ **Write MIPS assembly for:**

array[12] = h + array[8]

(Array of words. Assume h is in register)

Map:

\$s2 = h
\$s3 = base
address of
array
\$t1 = temp

Code:

```
# Assume $s3 is already set
lw $t0, 32($s3)
add $t1, $s2, $t0
sw $t1, 48($s3)
```

Task : Write Code

➔ **Write MIPS assembly for:**

$$g = h + \text{array}[i]$$

(Array of words. Assume g , h , and i are in registers)

Map:

$\$s1 = g$
 $\$s2 = h$
 $\$s3 = \text{base}$
address of
array
 $\$s4 = i$

Code:

```
# "Multiply" i by 4
add $t1, $s4, $s4    # x2
add $t1, $t1, $t1    # x2 again
# Get addr of array[i]
add $t1, $t1, $s3
# Load array[i]
lw $t0, 0($t1)
# Compute add
add $s1, $s2, $t0
```

Aside – Compiler

- **When programming in C / C++, are your variables (int, float, char, ...) stored in memory or in registers?**
- **Ans: It depends**
- **Compiler will choose** where to place variables
 - Registers: Loop counters, frequently accessed scalar values
 - Memory: Arrays, infrequently accessed data values

MIPS Branches / Loops



Branches, Tests, Jump

- Branch on Equal (if \$1 == \$2, goto dest)

```
beq <reg1>, <reg2>, <destination>
```

- Set on Less Than (if \$2 < \$3, set \$1 = 1, otherwise 0)

```
slt <reg1>, <reg2>, <reg3>
```

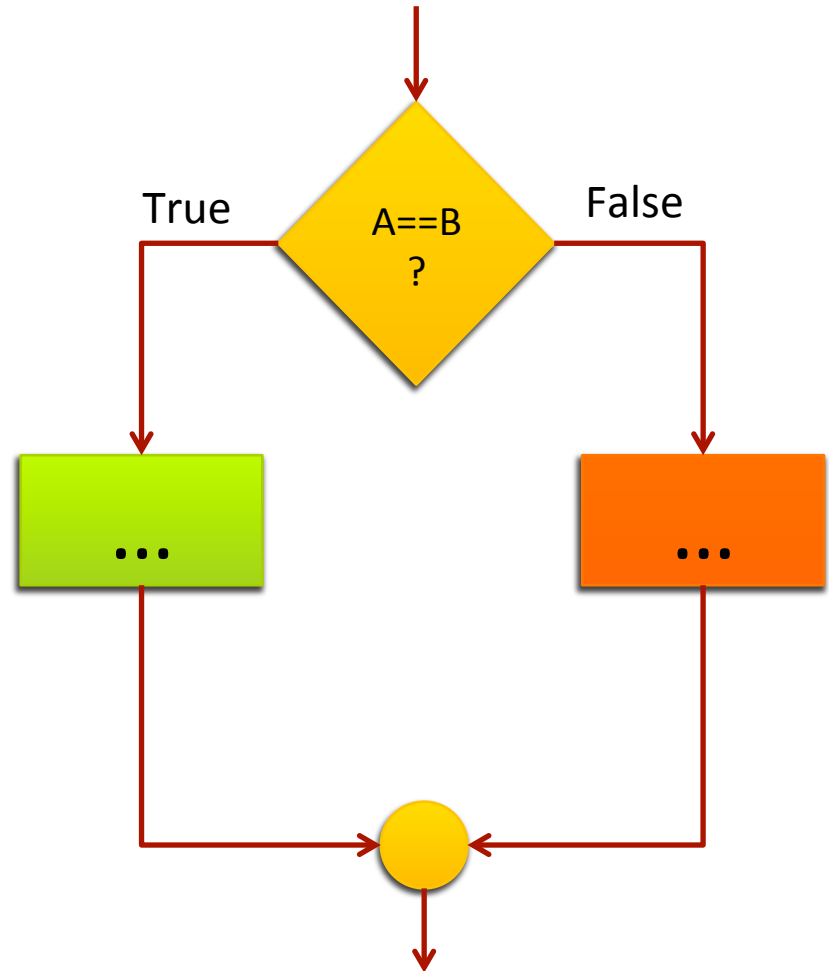
- Jump (goto dest)

```
j <destination>
```

Task : Write Code

➔ Write MIPS assembly for:

```
if (A == B)
{
    <equal-code>
}
else
{
    <not-equal-code>
}
<after-if-code>
```



Task : Write Code

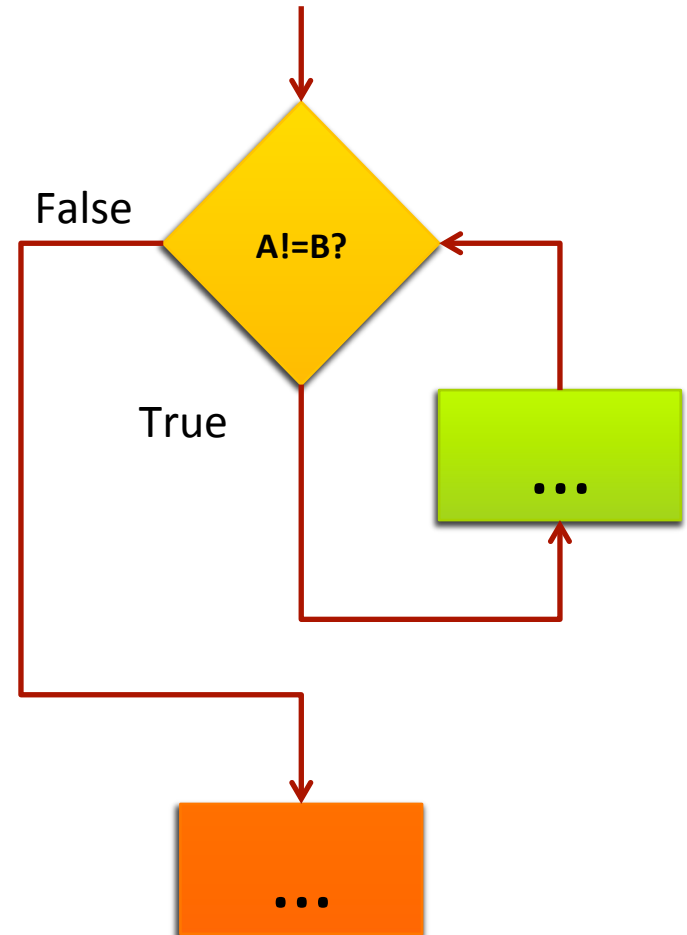
➤ Write MIPS assembly:

Map:`$s0 = A``$s1 = B`**Code:**`beq $s0, $s1, equal``<not-equal-code>``j done``equal: <equal-code>``j done``done: <after-if-code>`

Task : Write Code

➔ Write MIPS assembly for:

```
while (A != B)
{
    <loop-body>
}
<post-loop-code>
```



Task : Write Code

➤ Write MIPS assembly:

Map:

\$s0 = A

\$s1 = B

Code:

```
start:    beq $s0, $s1, done
          <loop-body>
          j  start
done:     <post-loop-code>
```

There are many, **many**, variations of branch or test instructions intended to simplify programming



1. Show: Appendix A Reference
2. Discuss: Instruction versus *Pseudo-Instruction*

Resources

- Resources on Website – view “Resources” page
 - **MIPS Instruction Set** (partial guide)

- Resources available in Sakai site (under ECPE 170)
 - **HP_AppA.pdf**
 - Appendix A from famous Hennessy & Patterson *Computer Organization* textbook
 - Assemblers, Linkers, and the SPIM simulator
 - Starting on page 51 is an overview of the MIPS assembly commands!
 - **MIPS_Green_Sheet.pdf**
 - “Cheat sheet” for expert programmers
 - MIPS commands, registers, memory conventions, ...

MIPS Simulator Walkthrough



